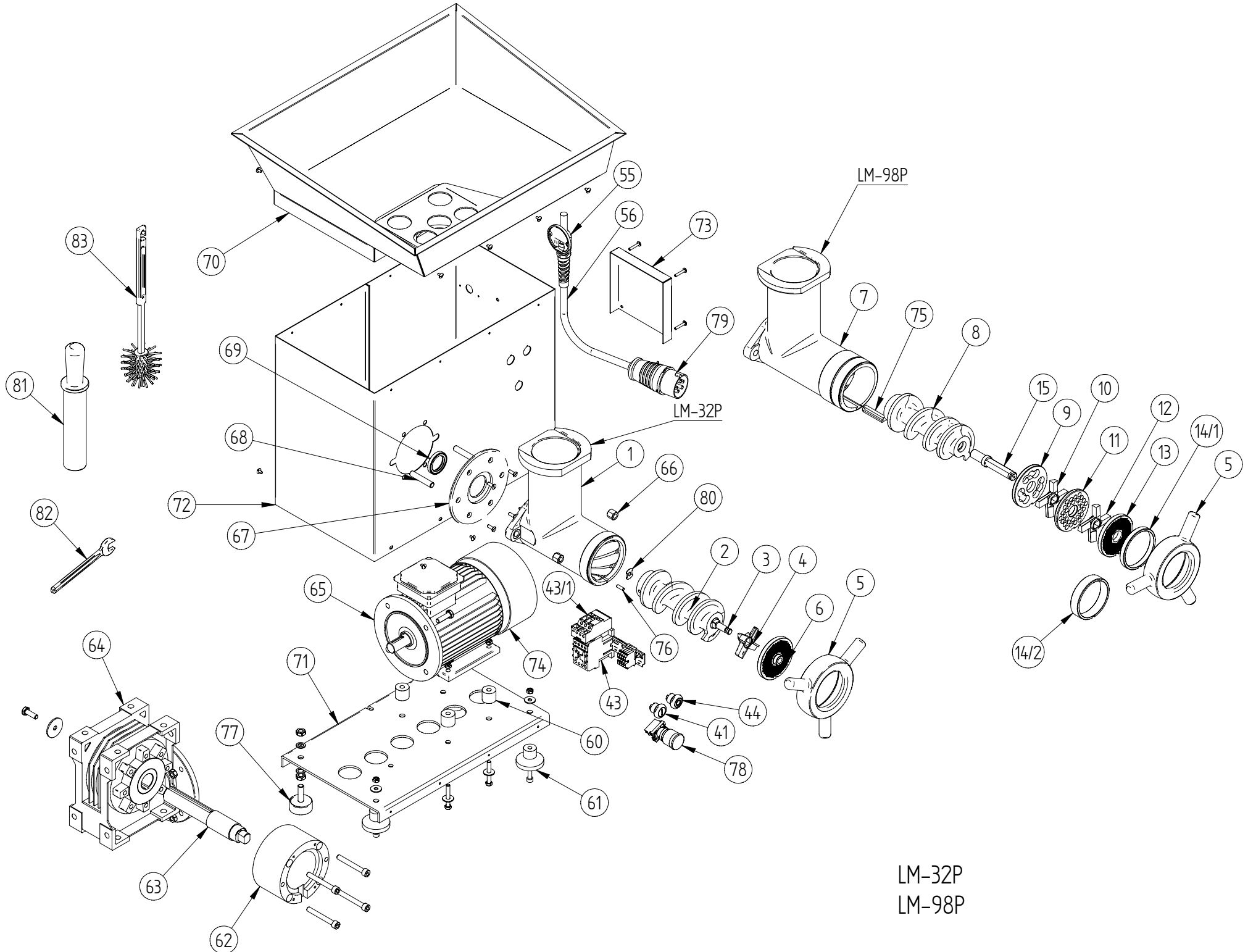


Ryhmä: 331

LM-98P MEAT MINCER

Code	Item name
LM98P005	LM-98P ENTRY NUT
LM98P007	LM-98P GRINDING HOUSE
LM98P008	LM-98P FEED SCREW (INCL.PART 15)
LM98P009	LM-98P PRECUTTER
LM98P010	LM-98P KNIFE
LM98P011	LM-98P HOLEPLATE
LM98P012	LM-98P KNIFE
LM98P013	LM-98P HOLEPLATE
LM98P014/1	LM-98P DISTANCE RING 12MM
LM98P014/2	LM-98P DISTANCE RING 22MM
LM98P015	LM-98P STUD
LM98P041	LM-98P START BUTTON
LM98P043	LM-98P CONTACTOR
LM98P043/1	LM-98P THERMAL OVERLOAD RELAY
LM98P044	LM-98P STOP BUTTON
LM98P055	LM-98P CABLE GLAND
LM98P056	LM-98P CABLE
LM98P060	LM-98P BUSHING
LM98P061	LM-98P FOOT
LM98P062	LM-98P SPACER
LM98P063	LM-98P SHAFT
LM98P064	LM-98P GEAR BOX
LM98P065	LM-98P MOTOR
LM98P066	LM-98P NUT M12
LM98P067	LM-98P FRONT PLATE
LM98P068	LM-98P SCREW M12
LM98P069	LM-98P GASKET AS 35-52-7
LM98P070	LM-98P MEAT TRAY
LM98P071	LM-98P FRAME
LM98P072	LM-98P CASING
LM98P073	LM-98P SHIELD
LM98P074	LM-98P AIR DEFLECTOR
LM98P075	LM-98P KEY
LM98P077	LM-98P FOOT
LM98P078	LM-98P EMERGENCY STOP BUTTON
LM98P079	LM-98P PLUG
LM98P081	LM-98P FEEDING HAMMER
LM98P082	LM-98P WRENCH 18MM
LM98P083	LM-98P CLEANING BRUSH



LM-32P
LM-98P