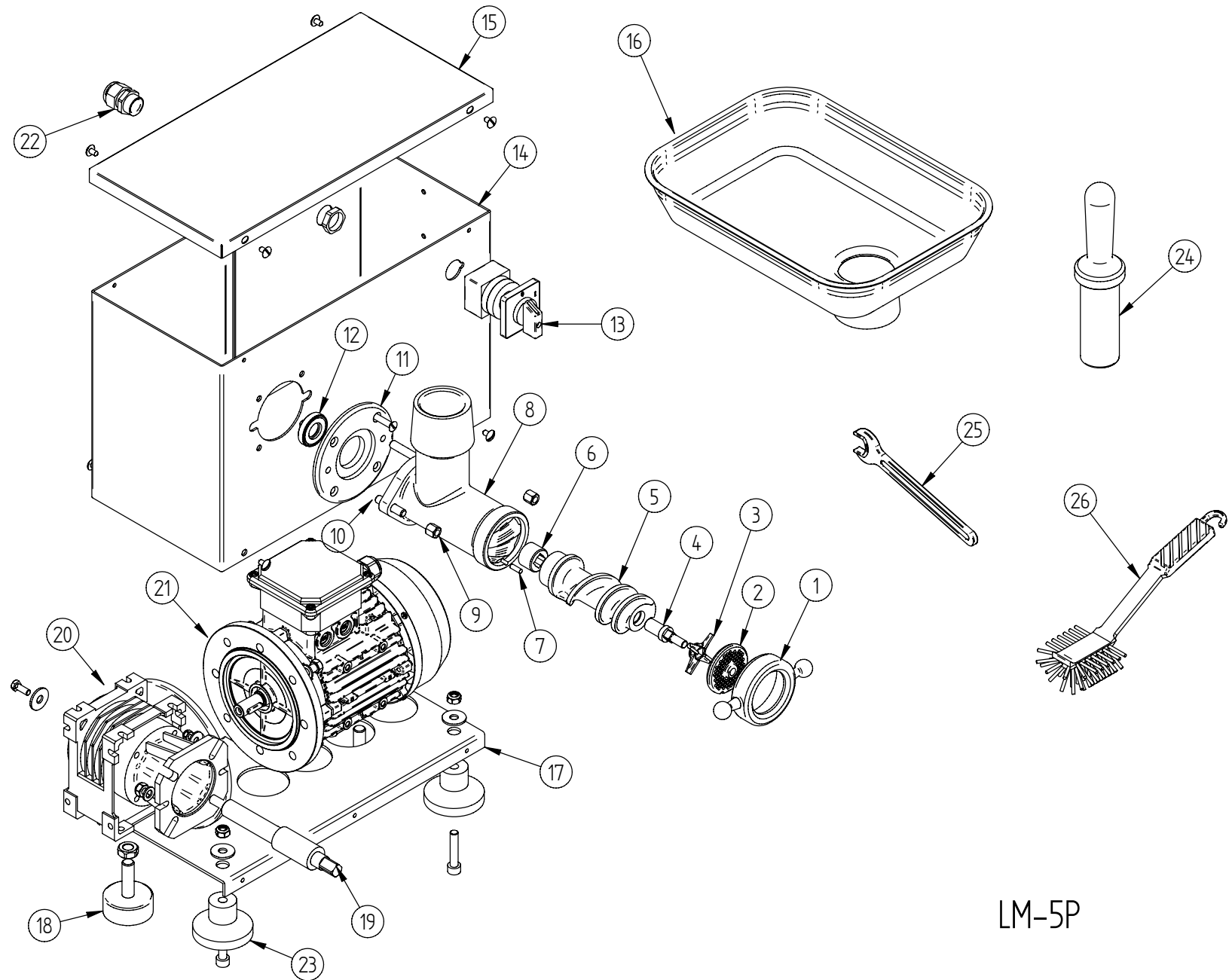


Ryhmä: 260

LM-5P MEAT MINCER

Code	Item name
LM5P001	LM-5P ENTRY NUT
LM5P004	LM-5P STUD
LM5P005	LM-5P FEED SCREW (incl.parts no. 4&6)
LM5P006	LM-5P COUPLING
LM5P007	LM-5P KEY
LM5P008	LM-5P GRINDING HOUSE
LM5P009	LM-5P NUT M8
LM5P010	LM-5P SCREW M8
LM5P011	LM-5P FRONT PLATE
LM5P012	LM-5P GASKET AS 15-35-7
LM5P013	LM-5P POWER SWITCH
LM5P014	LM-5P CASING
LM5P015	LM-5P COVER
LM5P016	LM-5P MEAT TRAY
LM5P017	LM-5P FRAME
LM5P018	LM-5P FOOT
LM5P019	LM-5P SHAFT
LM5P020	LM-5P GEAR
LM5P021	LM-5P MOTOR
LM5P022	LM-5P GABLE GLAND
LM5P023	LM-5P FOOT
LM5P024	LM-5P FEEDING HAMMER
LM5P025	LM-5P WRENCH 11 mm
LM5P026	LM-5P CLEANING BRUSH



LM-5P