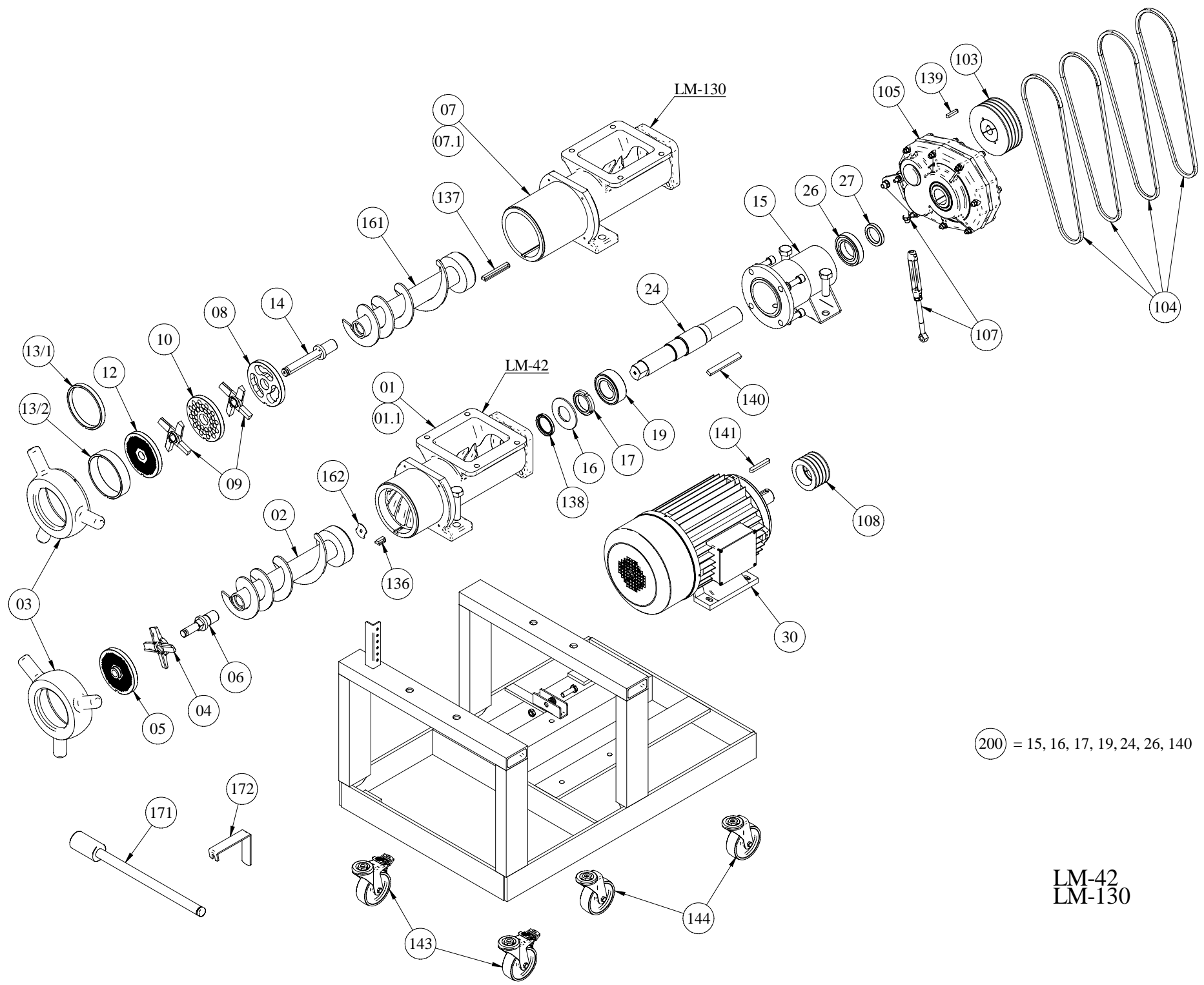


Ryhmä: 340  
LM-42 MEAT MINCER

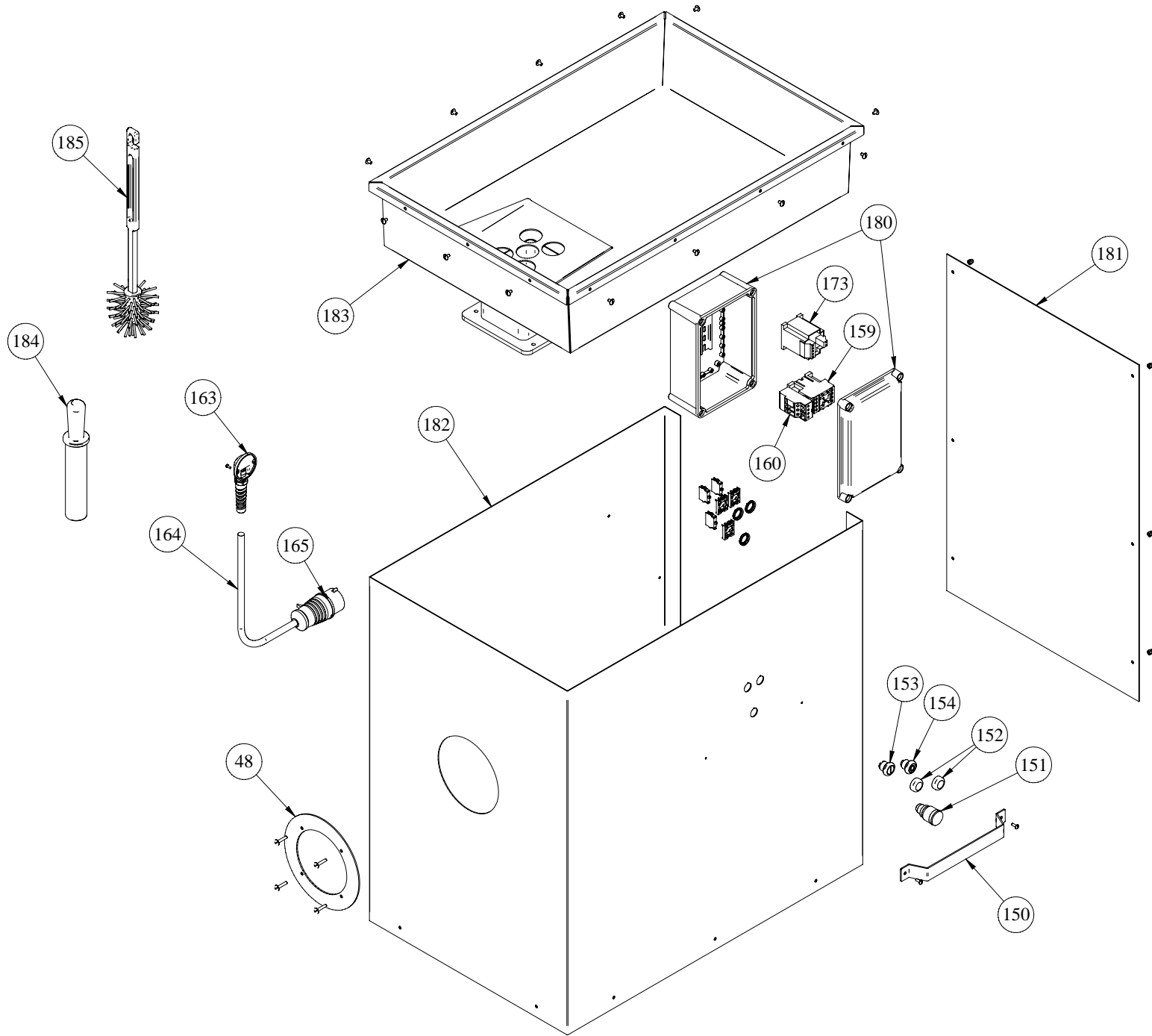
### 340 LIHAMYLLY LM-42

Code	Item name
LM42001	LM-42 GRINDING HOUSE CAST IRON
LM42001,1	LM-42 GRINDING HOUSE STAINLESS
LM42002	LM-42 FEED SCREW (INCL.PART 6) STAINLESS
LM42003	LM-42 ENTRY NUT
LM42004	LM-42 KNIFE
LM42005	LM-42 HOLEPLATE
LM42006	LM-42 STUD
LM42015	LM-42 BEARING TRESTLE
LM42016	LM-42 PROTECTIVE PLATE
LM42017	LM-42 LOCK NUT KM 10
LM42019	LM-42 BEARING 3210
LM42024	LM-42 DRIVE SHAFT
LM42026	LM-42 BEARING 6210 2RS
LM42027	LM-42 BUSHING
LM42030	LM-42 MOTOR 7,5kW
LM42048	LM-42 FRONT PLATE
LM42103	LM-42 PULLEY
LM42104	LM-42 BELT XPZ-1060
LM42105	LM-42 GEARBOX
LM42107	LM-42 TURNBUCKLE
LM42108	LM-42 PULLEY
LM42136	LM-42 KEY
LM42138	LM-42 GASKET AS 45x62x10
LM42139	LM-42 KEY
LM42140	LM-42 KEY
LM42141	LM-42 KEY
LM42143	LM-42 WHEEL WITH BRAKE
LM42144	LM-42 WHEEL
LM42150	LM-42 COVER
LM42151	LM-42 EMERGENCY STOP BUTTON
LM42152	LM-42 PROTECTIVE RUBBER
LM42153	LM-42 START BUTTON
LM42154	LM-42 STOP BUTTON
LM42159	LM-42 CONTACTOR DILM 17-10 24V
LM42160	LM-42 THERMAL OVERLOAD RELAY ZB 32-24
LM42162	LM-42 SHIM FOR FEED SCREW
LM42163	LM-42 CABLE GLAND
LM42164	LM-42 CABLE
LM42165	LM-42 PLUG
LM42171	LM-42 ENTRY NUT KEY
LM42172	LM-42 KEY FOR FEEDSCREW
LM42173	LM-42 TRANSFORMER
LM42180	LM-42 CONNECTION BOX
LM42181	LM-42 BACK COVER
LM42182	LM-42 CASING
LM42183	LM-42 MEAT TRAY
LM42184	LM-42 FEEDING HAMMER
LM42185	LM-42 CLEANING BRUSH
LM42200	LM-42 BEARING TRESTLE COMPL. (INCL PARTS 15-17,19,24,26,140)



(200) = 15, 16, 17, 19, 24, 26, 140

LM-42  
LM-130



LM-42  
LM-130