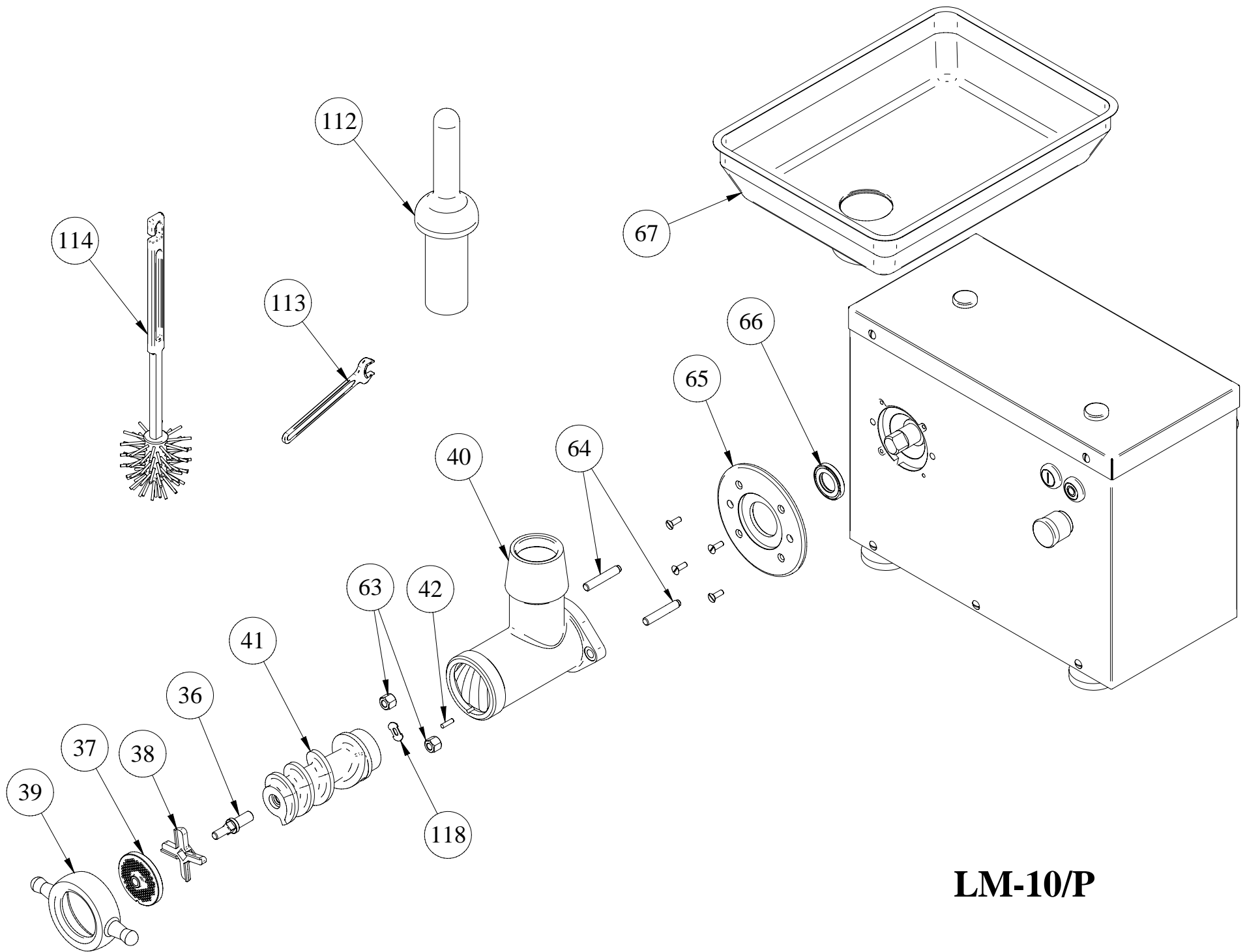


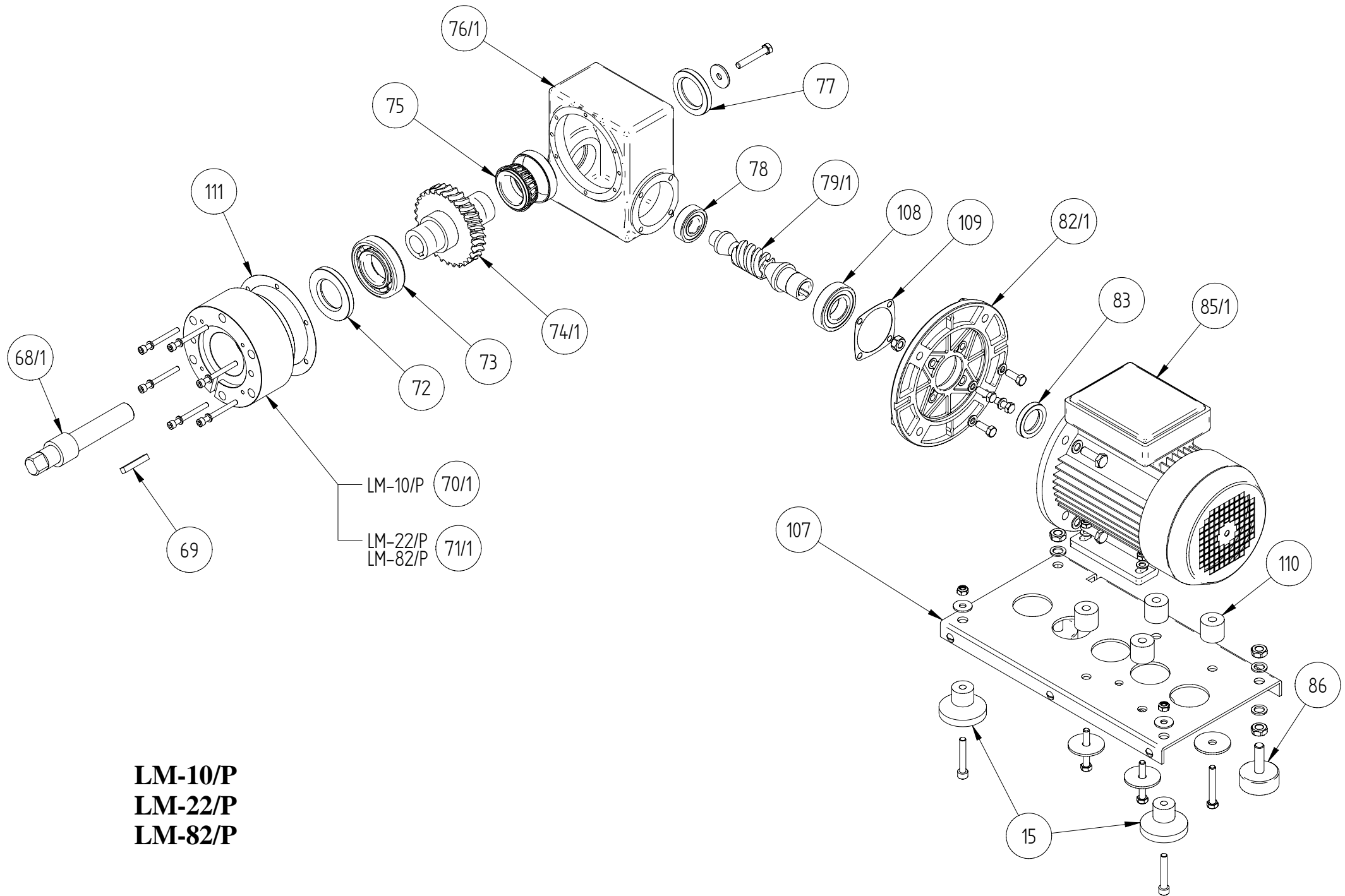
Ryhmä: 270

LM-10P MEAT MINCER

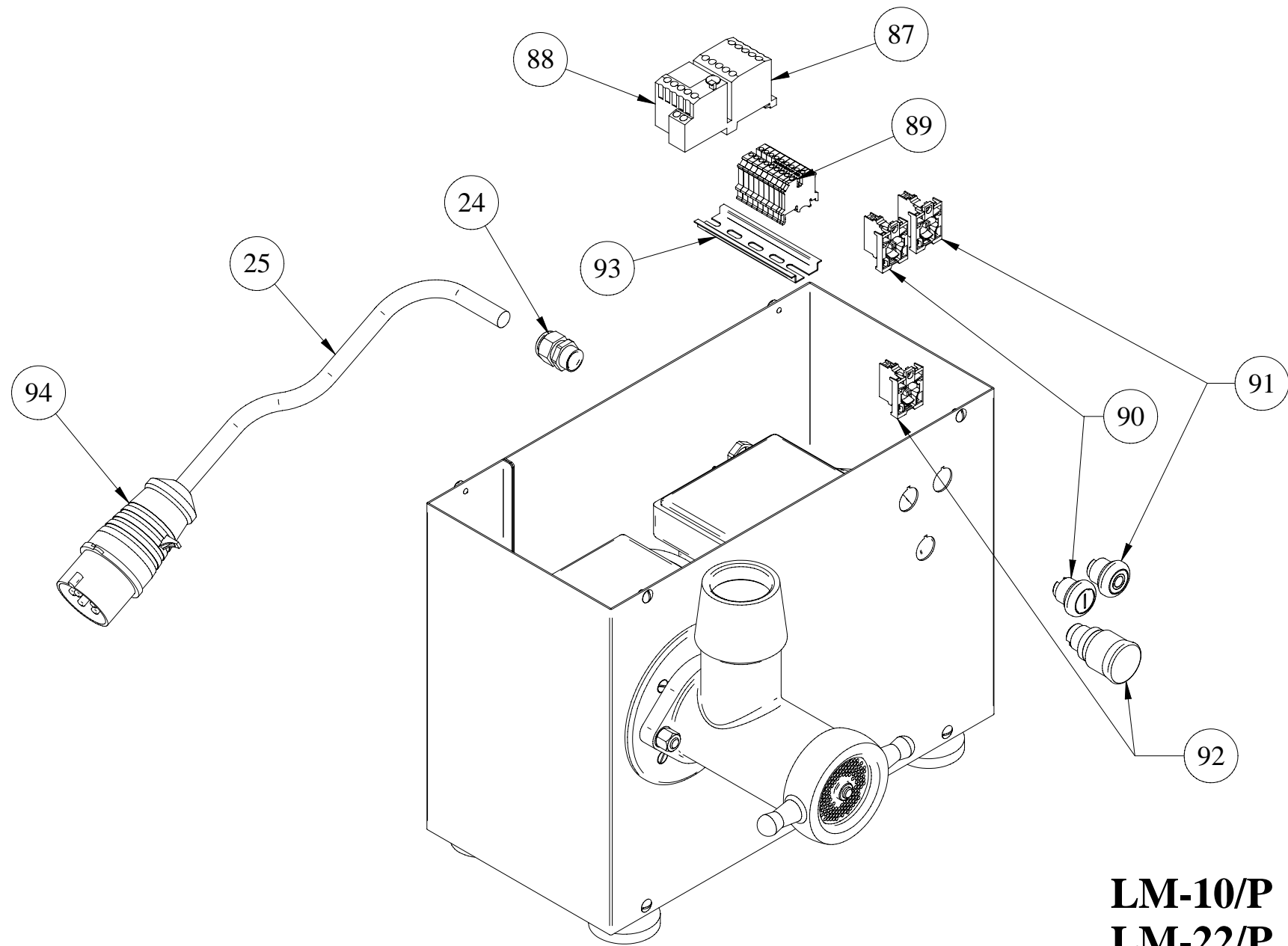
Code	Item name
LM10P015	LM-10P FOOT
LM10P024	LM-10P CABLE GLAND
LM10P025	LM-10P CABLE
LM10P036	LM-10P STUD
LM10P037	LM-10P HOLEPLATE
LM10P038	LM-10P KNIFE
LM10P039	LM-10P ENTRY NUT
LM10P040	LM-10P GRINDING HOUSE
LM10P041	LM-10P FEED SCREW (INCL.PART 36)
LM10P042	LM-10P KEY
LM10P063	LM-10P NUT M10
LM10P064	LM-10P SCREW M10
LM10P065	LM-10P FRONT PLATE
LM10P067	LM-10P MEAT TRAY
LM10P068/1	LM-10P SHAFT
LM10P069	LM-10P KEY
LM10P070/1	LM-10P SPACER
LM10P072	LM-10P GASKET AS 40x72x9
LM10P073	LM-10P BEARING 6208
LM10P074/1	LM-10P WORM WHEEL
LM10P075	LM-10P BEARING 32008
LM10P076/1	LM-10P GEAR BOX
LM10P077	LM-10P GASKET AS 40x62x9
LM10P078	LM-10P BEARING 6204
LM10P079/1	LM-10P SPIRAL SHAFT
LM10P082/1	LM-10P END SHIELD
LM10P083	LM-10P GASKET AS 30x40x7
LM10P085/1	LM-10P MOTOR 1,5kw
LM10P086	LM-10P FOOT
LM10P087	LM-10P CONTACTOR
LM10P088	LM-10P THERMAL OVERLOAD RELAY
LM10P089	LM-10P TERMINAL BLOCK
LM10P090	LM-10P START BUTTON
LM10P091	LM-10P STOP BUTTON
LM10P092	LM-10P EMERGENCY STOP BUTTON
LM10P093	LM-10P RAIL
LM10P094	LM-10P PLUG
LM10P107	LM-10P FRAME
LM10P108	LM-10P BEARING 6206
LM10P109	LM-10P GASKET
LM10P110	LM-10P BUSHING
LM10P111	LM-10P GASKET
LM10P112	LM-10P FEEDING HAMMER
LM10P113	LM-10P WRENCH 16mm
LM10P114	LM-10P CLEANING BRUSH
LM10P118	LM-10P SHIM FOR FEED SCREW



**LM-10/P**



**LM-10/P**  
**LM-22/P**  
**LM-82/P**



**LM-10/P**  
**LM-22/P**  
**LM-82/P**