

Ryhmä: 529

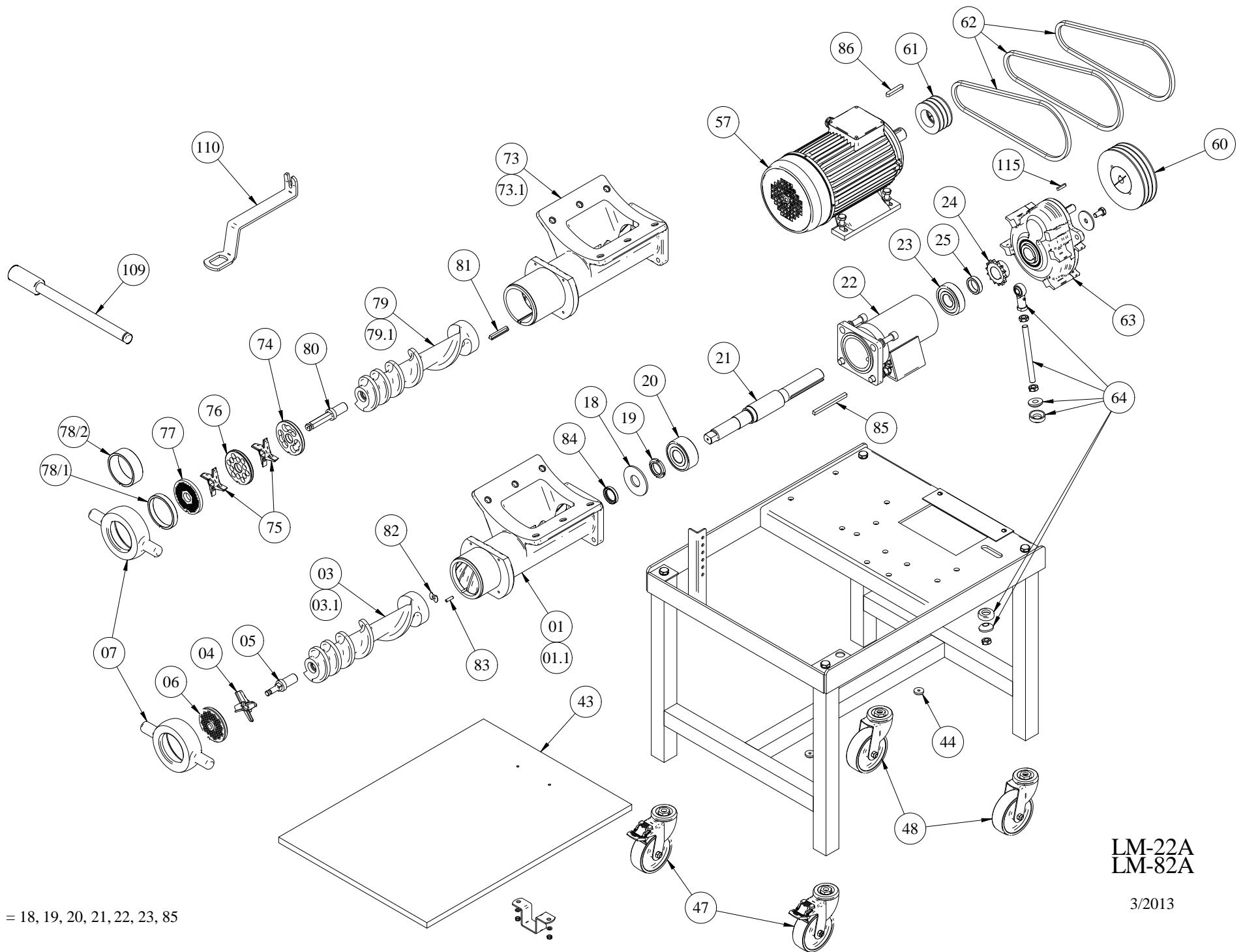
LM-82A MEAT GRINDER

Code	Item name
LM82A002	LM-82A FRONT PLATE
LM82A007	LM-82A ENTRY NUT
LM82A008	LM-82A SPLASH COVER
LM82A009	LM-82A SPLASH COVER BRACKET
LM82A010	LM-82A COVER FOR MIXER SHAFT
LM82A011	LM-82A CLAMPING SCREW FOR MIXER
LM82A012	LM-82A NYLON BEARING
LM82A014	LM-82A LOCK NUT
LM82A015	LM-82A MIXER
LM82A016	LM-82A LID BOLT
LM82A018	LM-82A PROTECTIVE PLATE
LM82A019	LM-82A LOCK NUT KM 6
LM82A020	LM-82A BEARING 3306
LM82A021	LM-82A DRIVE SHAFT
LM82A022	LM-82A BEARING TRESTLE
LM82A023	LM-82A BEARING 6306 2RS
LM82A024	LM-82A SPROCKET Z 14
LM82A025	LM-82A BUSHING
LM82A026	LM-82A CHAIN 08B-1
LM82A027	LM-82A BACK COVER
LM82A029	LM-82A MEAT TRAY
LM82A035	LM-82A SPROCKET Z 76
LM82A038	LM-82A NYLON BEARING
LM82A039	LM-82A SAFETY SWITCH
LM82A043	LM-82A TABLE
LM82A044	LM-82A STOP RUBBER
LM82A047	LM-82A WHEEL WITH BRAKE
LM82A048	LM-82A WHEEL
LM82A054	LM-82A PUSHER FOR SAFETY SWITCH
LM82A056	LM-82A SPRING
LM82A057	LM-82A MOTOR 3kW
LM82A060	LM-82A PULLEY
LM82A061	LM-82A PULLEY
LM82A062	LM-82A BELT XPZ 850
LM82A063	LM-82A GEARBOX
LM82A064	LM-82A TURNBUCKLE
LM82A065	LM-82A HINGE SHAFT
LM82A066	LM-82A BEARING
LM82A067	LM-82A LID
LM82A073	LM-82A GRINDING HOUSE CAST IRON
LM82A073,1	LM-82A GRINDING HOUSE STAINLESS
LM82A074	LM-82A PRECUTTER
LM82A075	LM-82A KNIFE
LM82A076	LM-82A HOLEPLATE
LM82A077	LM-82A HOLEPLATE
LM82A078/1	LM-82A DISTANCE RING 12 MM
LM82A078/2	LM-82A DISTANCE RING 28 MM
LM82A079	LM-82A FEED SCREW INCL.PART 80 ALUM
LM82A079,1	LM-82A FEED SCREW INCL.PART 80 STAIN
LM82A080	LM-82A STUD
LM82A081	LM-82A KEY
LM82A084	LM-82A GASKET AS 28x40x7
LM82A085	LM-82A KEY FOR DRIVE SHAFT
LM82A086	LM-82A KEY
LM82A087	LM-82A LID BOLT
LM82A088	LM-82A EMERGENCY STOP BUTTON
LM82A089	LM-82A PROTECTIVE BUTTON
LM82A090	LM-82A START BUTTON
LM82A091	LM-82A STOP BUTTON
LM82A092	LM-82A CABLE GLAND
LM82A093	LM-82A CABLE

Ryhmä: 529

LM-82A MEAT GRINDER

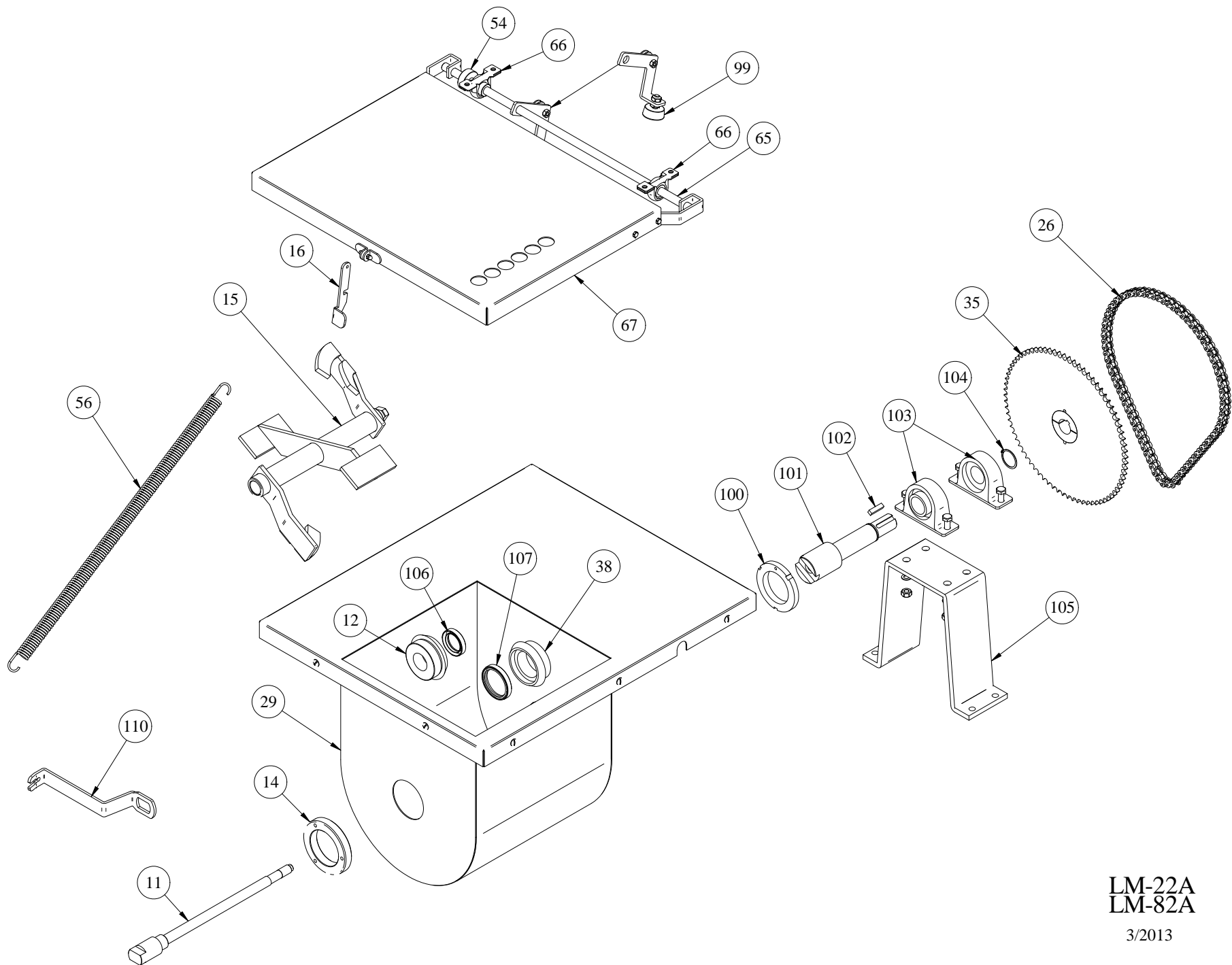
Code	Item name
LM82A094	LM-82A PLUG
LM82A095	LM-82A CONNECTION BOX
LM82A096	LM-82A RAIL
LM82A097	LM-82A CONTACTOR DILM 9-10 24V
LM82A098	LM-82A THERMAL OVERLOAD RELAY ZB1
LM82A099	LM-82A RUBBER
LM82A100	LM-82A LOCK NUT KM 15
LM82A101	LM-82A DRIVE SHAFT FOR MIXER
LM82A102	LM-82A KEY
LM82A103	LM-82A BEARING UNIT
LM82A104	LM-82A CIRCLIP
LM82A105	LM-82A STAND FOR BEARING UNIT
LM82A106	LM-82A GASKET AS 35x52x10
LM82A107	LM-82A GASKET A 53x68x10
LM82A109	LM-82A ENTRY NUT KEY
LM82A110	LM-82A KEY FOR FEED SCREW
LM82A111	LM-82A KEY SWITCH FOR FOOT SWITCH
LM82A112	LM-82A FOOT SWITCH
LM82A112.1	LM-82A CABLE FOR FOOT SWITCH
LM82A113	LM-82A MICROSWITCH FOR FOOT SWITCH
LM82A114	LM-82A TRANSFORMER
LM82A115	LM-82A KEY
LM82A116	LM-82A CASING
LM82A150	LM-82A BEARING TRESTLE COMP.INCL 18
LM82A151	LM-82A KEY OLD MODEL



150 = 18, 19, 20, 21, 22, 23, 85

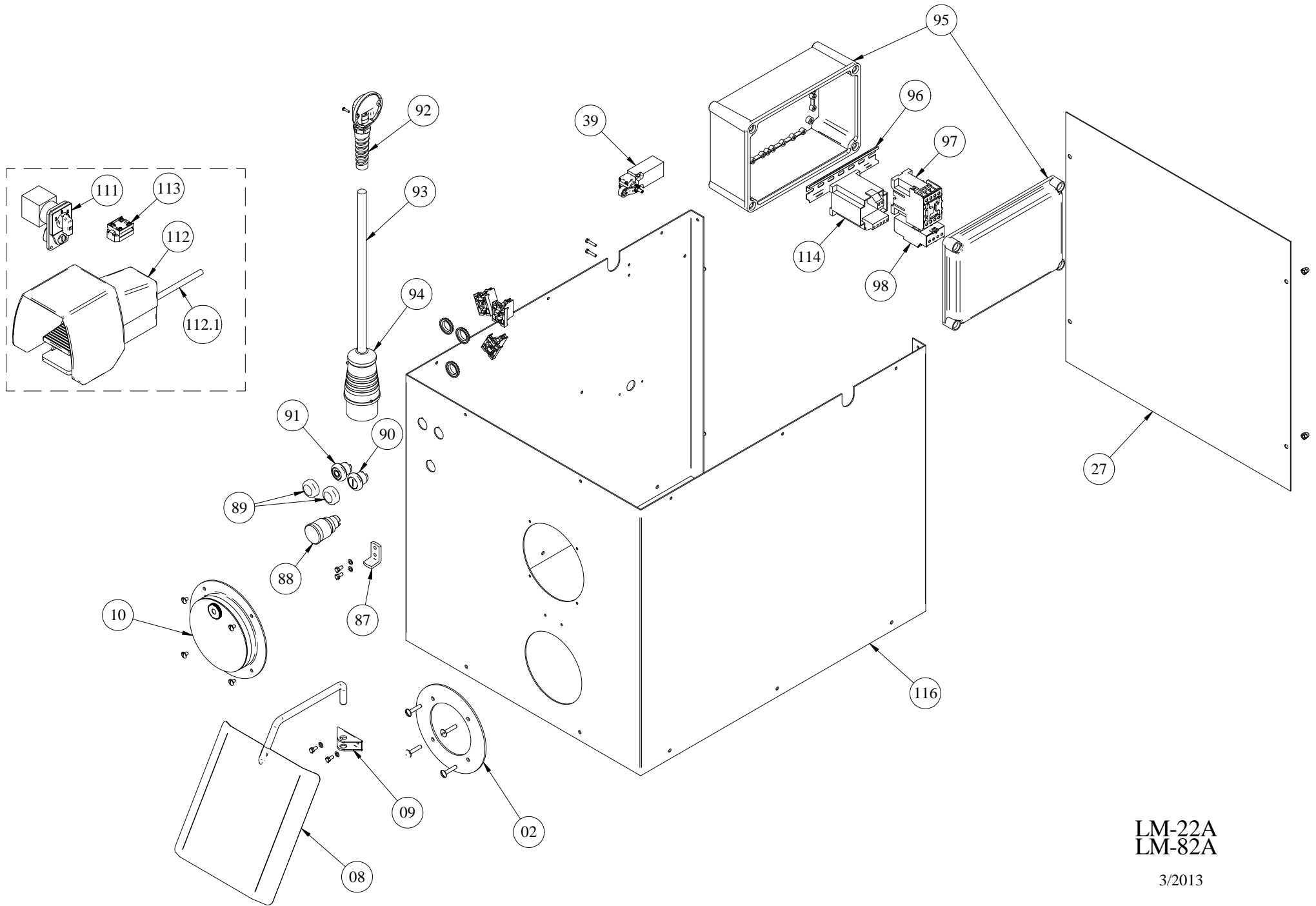
LM-22A
LM-82A

3/2013



LM-22A
LM-82A

3/2013



LM-22A
LM-82A

3/2013