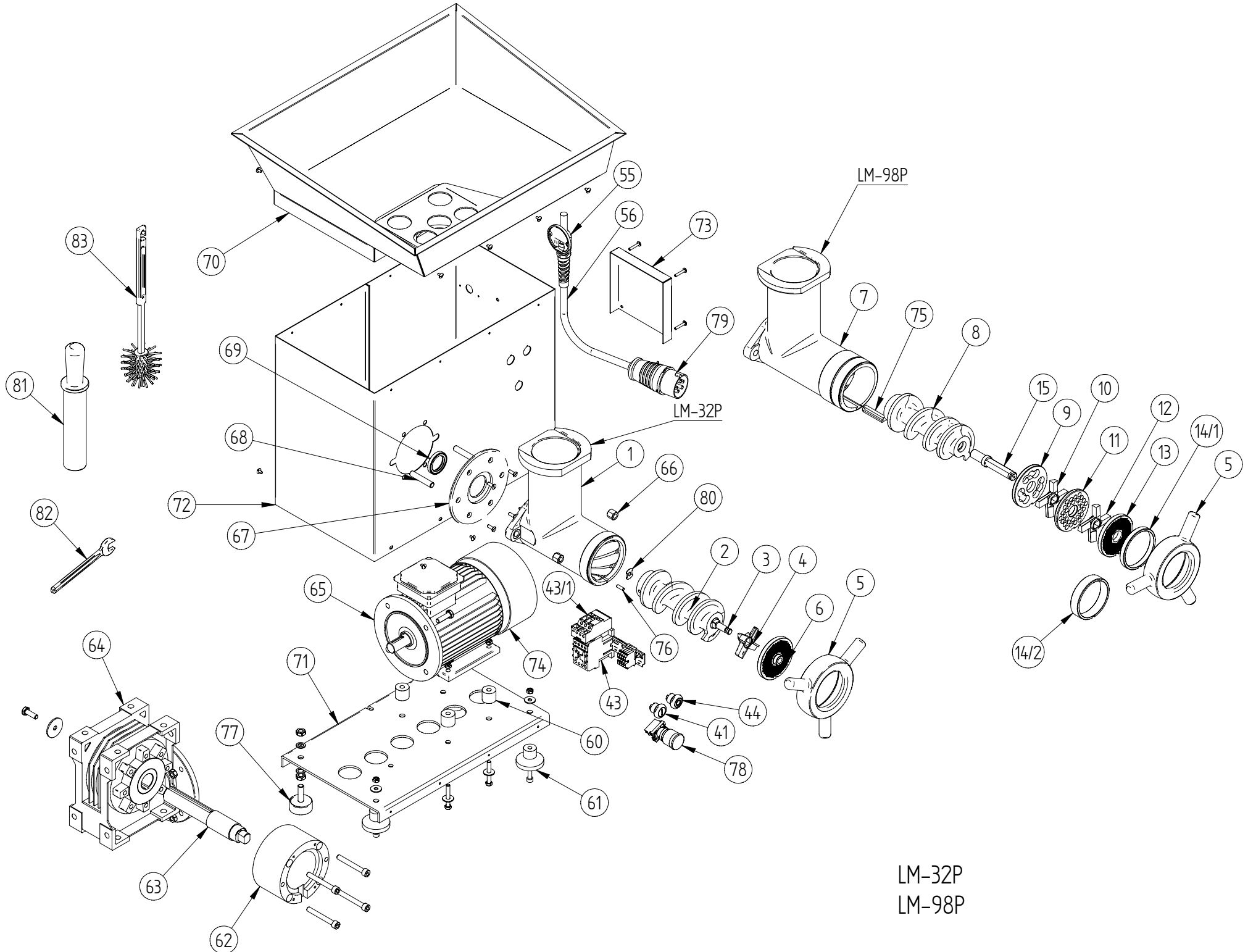


Ryhmä: 330

LM-32P MEAT MINCER

Code	Item name
LM32P001	LM-32P GRINDING HOUSE
LM32P002	LM-32P FEED SCREW (INCL.PART.3)
LM32P003	LM-32P STUD
LM32P004	LM-32P KNIFE
LM32P005	LM-32P ENTRY NUT
LM32P006	LM-32P HOLEPLATE
LM32P041	LM-32P START BUTTON
LM32P043	LM-32P CONTACTOR
LM32P043/1	LM-32P THERMAL OVERLOAD RELAY
LM32P044	LM-32P STOP BUTTON
LM32P055	LM-32P CABLE GLAND
LM32P056	LM-32P CABLE
LM32P060	LM-32P BUSHING
LM32P061	LM-32P FOOT
LM32P062	LM-32P SPACER
LM32P063	LM-32P SHAFT
LM32P064	LM-32P GEAR BOX
LM32P065	LM-32P MOTOR
LM32P066	LM-32P NUT M12
LM32P067	LM-32P FRONT PLATE
LM32P068	LM-32P SCREW M12
LM32P069	LM-32P GASKET AS 35-52-7
LM32P070	LM-32P MEAT TRAY
LM32P071	LM-32P FRAME
LM32P072	LM-32P CASING
LM32P073	LM-32P SHIELD
LM32P074	LM-32P AIR DEFLECTOR
LM32P076	LM-32P KEY
LM32P077	LM-32P FOOT
LM32P078	LM-32P EMERGENCY STOP BUTTON
LM32P079	LM-32P PLUG
LM32P080	LM-32P SHIM FOR NEED SCREW
LM32P081	LM-32P FEEDING HAMMER
LM32P082	LM-32P WRENCH 18MM
LM32P083	LM-32P CLEANING BRUSH



LM-32P  
LM-98P