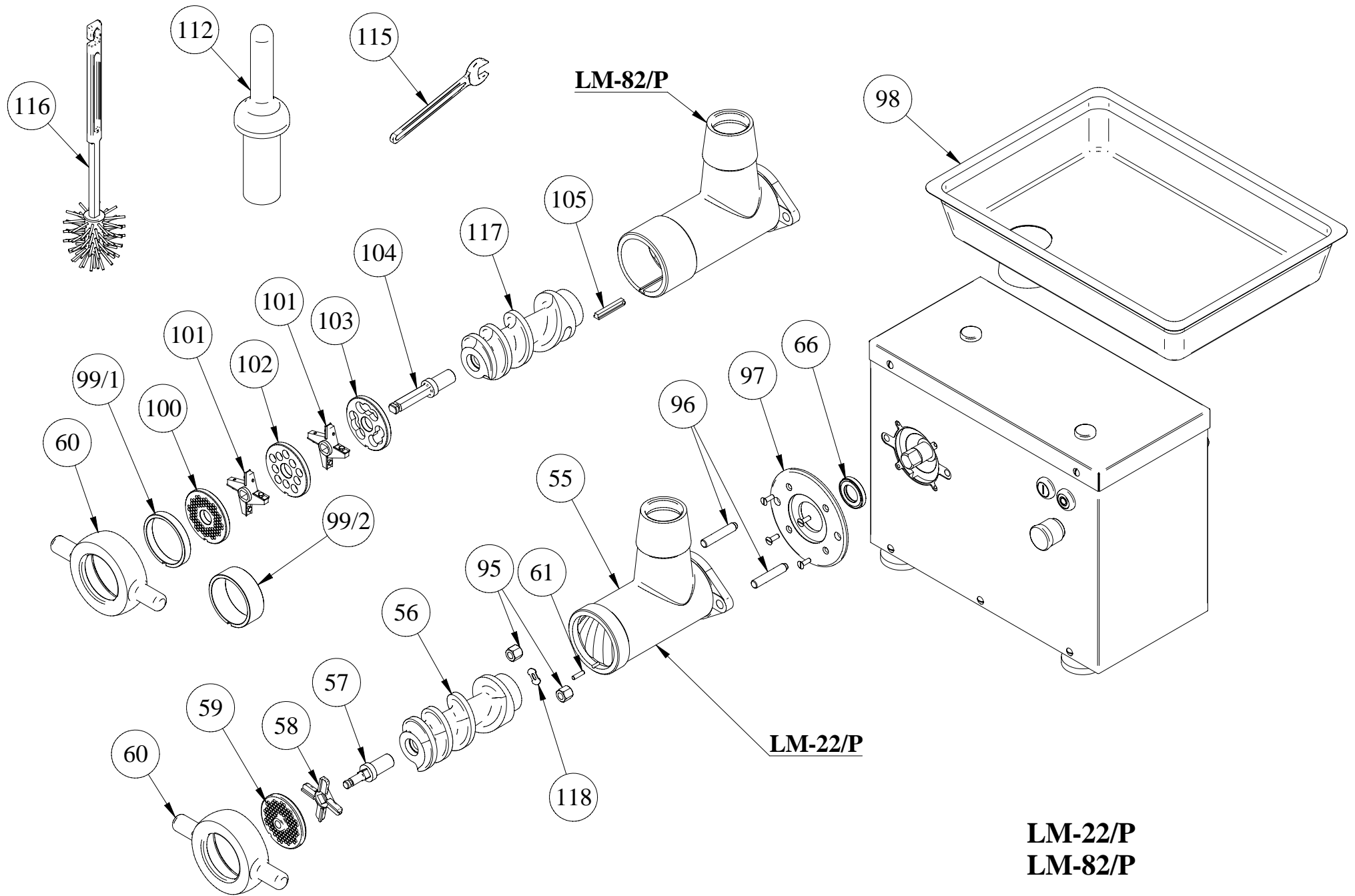


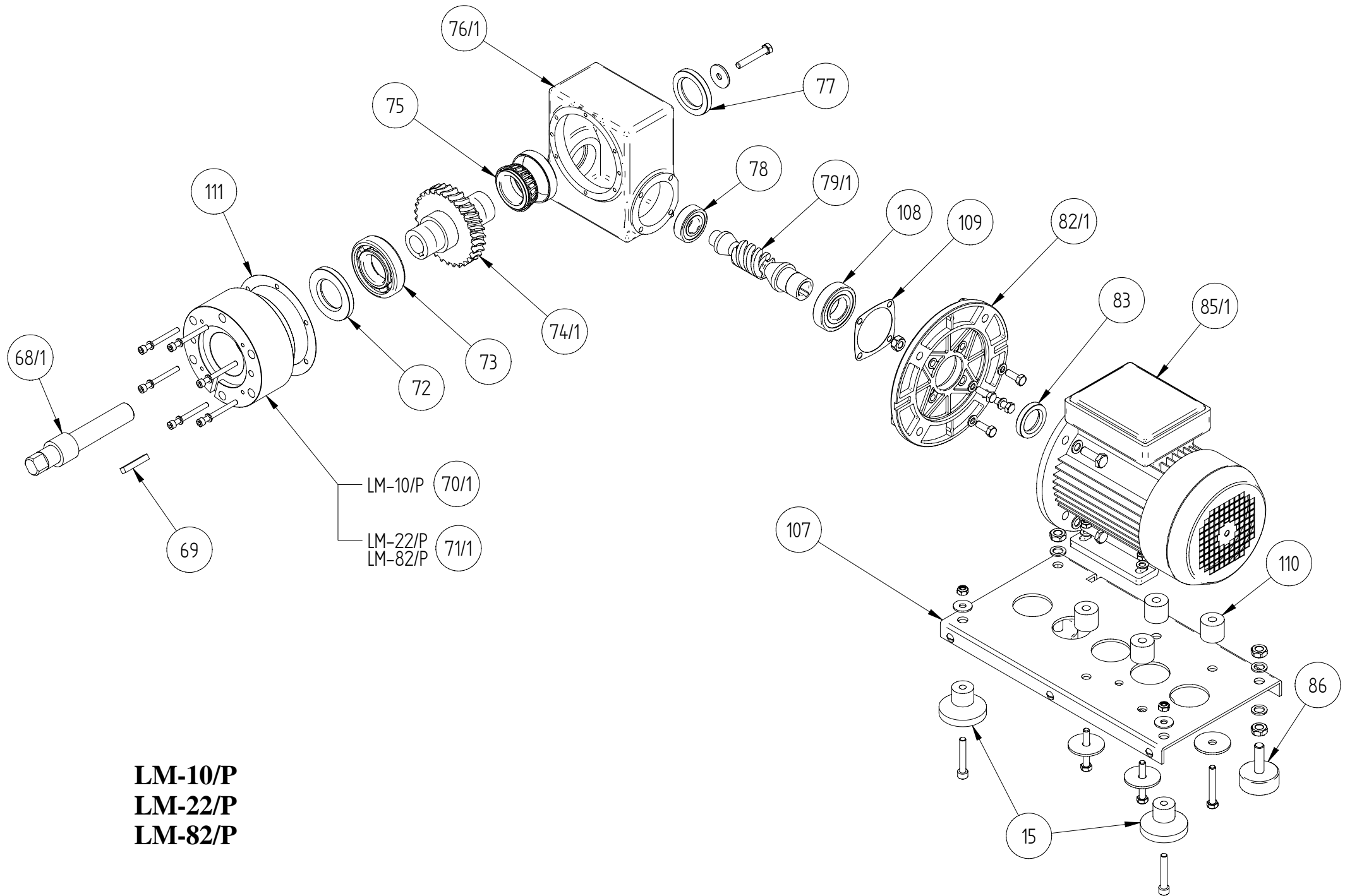
Ryhmä: 290

LM-22P MEAT MINCER

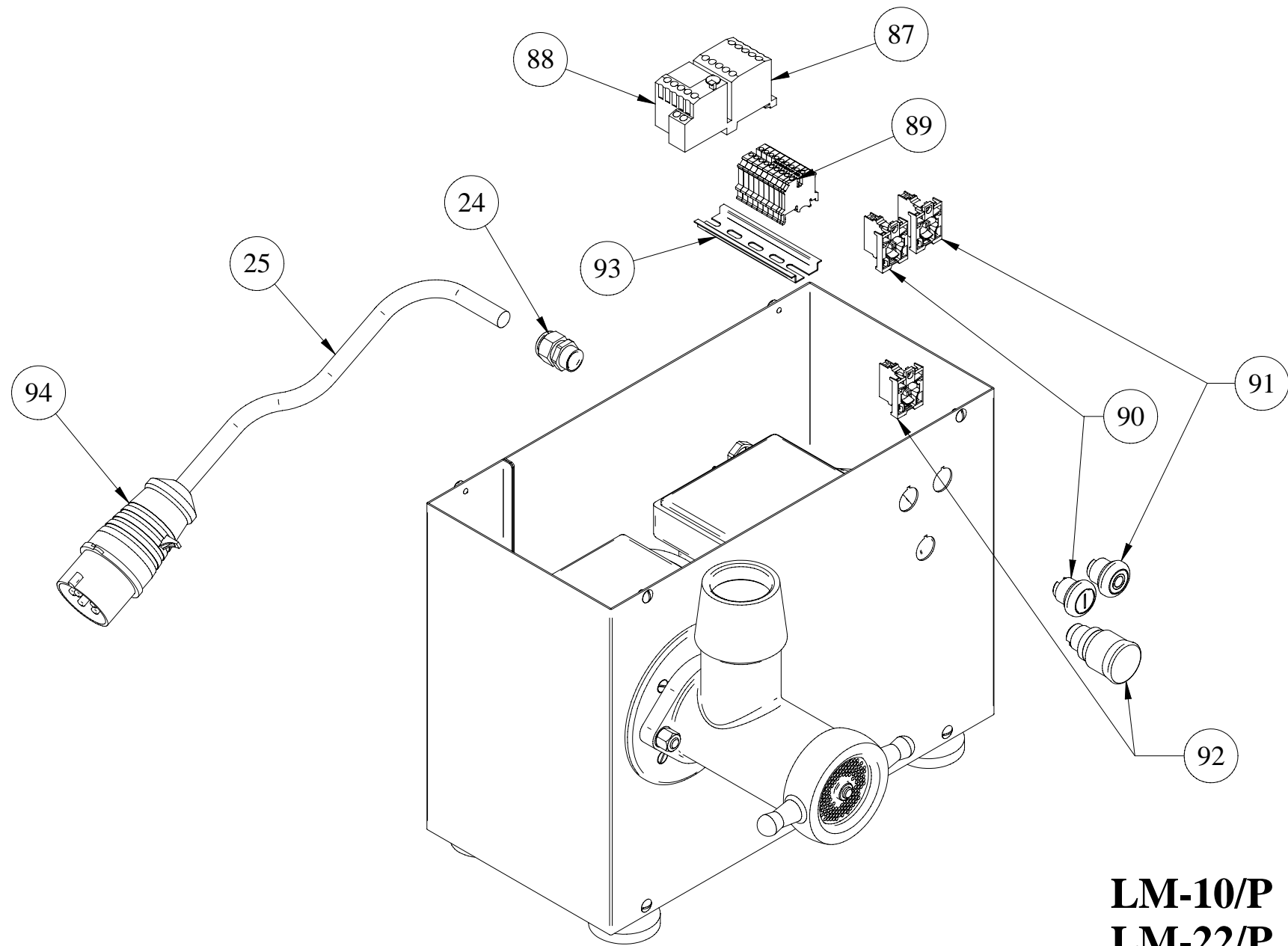
Code	Item name
LM22P015	LM-22P FOOT
LM22P024	LM-22P CABLE GLAND
LM22P025	LM-22P CABLE
LM22P055	LM-22P GRINDING HOUSE
LM22P056	LM-22P FEED SCREW (INCL.PART 57)
LM22P057	LM-22P STUD
LM22P058	LM-22P KNIFE
LM22P059	LM-22P HOLEPLATE
LM22P060	LM-22P ENTRY NUT
LM22P061	LM-22P KEY
LM22P066	LM-22P GASKET AS 25x47x7
LM22P068/1	LM-22P SHAFT
LM22P069	LM-22P KEY
LM22P071/1	LM-22P SPACER
LM22P072	LM-22P GASKET AS 40x72x9
LM22P073	LM-22P BEARING 6208
LM22P074/1	LM-22P WORM WHEEL
LM22P075	LM-22P BEARING 32008
LM22P076/1	LM-22P GEAR BOX
LM22P077	LM-22P GASKET AS 40x62x9
LM22P078	LM-22P BEARING 6204
LM22P079/1	LM-22P SPIRAL SHAFT
LM22P082/1	LM-22P END SHIELD
LM22P083	LM-22P GASKET AS 30x40x7
LM22P085/1	LM-22P MOTOR 1,5kw
LM22P086	LM-22P FOOT
LM22P087	LM-22P CONTACTOR
LM22P088	LM-22P THERMAL OVERLOAD RELAY
LM22P089	LM-22P TERMINAL BLOCK
LM22P090	LM-22P START BUTTON
LM22P091	LM-22P STOP BUTTON
LM22P092	LM-22P EMERGENCY STOP BUTTON
LM22P093	LM-22P RAIL
LM22P094	LM-22P PLUG
LM22P095	LM-22P NUT M12
LM22P096	LM-22P SCREW M12
LM22P097	LM-22P FRONT PLATE
LM22P098	LM-22P MEAT TRAY
LM22P107	LM-22P FRAME
LM22P108	LM-22P BEARING 6206
LM22P109	LM-22P GASKET
LM22P110	LM-22P BUSHING
LM22P111	LM-22P GASKET
LM22P112	LM-22P FEEDING HAMMER
LM22P115	LM-22P WRENCH 18MM
LM22P116	LM-22P CLEANING BRUSH
LM22P118	LM-22P SHIM FOR FEED SCREW



LM-22/P
LM-82/P



LM-10/P
LM-22/P
LM-82/P



LM-10/P
LM-22/P
LM-82/P